

Titanium all metal prevailing torque type hexagon nuts

Baoji Xinlian Titanium Industry Co.,Ltd is one of the leading China titanium all metal prevailing torque type hexagon nuts, titanium all metal locking hex flange nuts manufacturers and suppliers, and also a professional company equipped with factory, welcome to wholesale titanium all metal prevailing type hexagon nuts, titanium all metal locking hex flange nuts from us.

Titanium All Metal Locking Hex Flange Nuts

/Titanium all metal prevailing torque type hexagon nuts

Material: Pure titanium,Titanium alloy

Standard: DIN6925

Grade: Gr1,Gr2,Gr5(Ti6al4v),Gr7,Gr9

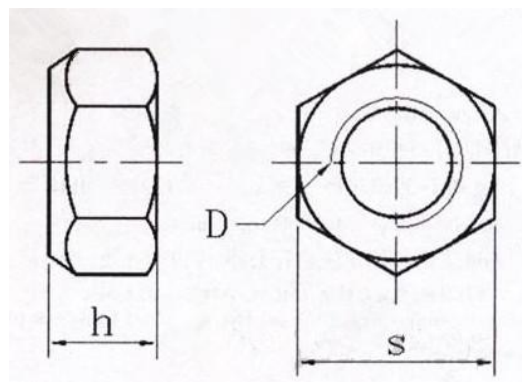
Specification: M3-M30

Surface Treatment: Polishing,Anodizing, Nitriding

Color: Ti nature,Gold,Blue,Green,Purple,Black,Rainbow

DIN6925

Prevailing Torque Type All-metal Hexagon Nuts



Unit: mm

D	P	h		s	
		max	min	max	min
M3	0.5	3.7	3.4	5.5	5.32
M4	0.7	4.2	3.9	7	6.78
M5	0.8	5.1	4.8	8	7.78
M6	1	6	5.7	10	9.78
M8	1/1.25	8	7.5	13	12.73
M10	1/1.25/1.5	10	9	16	15.73
M12	1.25/1.5/1.75	12	11	18	17.73
M14	1.5/2	14	12	21	20.67
M16	1.5/2	16	14	24	23.67
M20	1.5/2.5	20	18	30	29.16
M24	2/3	24	22	36	35
M30	2/3.5	30	28	46	45